

Specifications 36Z-Meter Concrete Pump

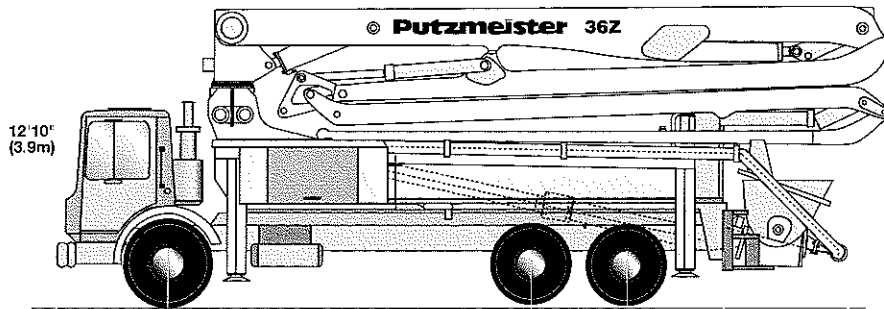
Truck-Mounted Specifications

Based on Model MACK MR 688S
with 16H pump cell

Length	36'9"	(11.19m)
Width	8'2"	(2.50m)
Height	12'10"	(3.92m)
Wheelbase	215"	(5460mm)
Front axle weight	19,700 lbs	(8,936kg)
Rear axle weight	34,700 lbs	(15,740kg)
Approx total weight	54,400 lbs	(24,676kg)

Weights are approximate and include pump, boom, truck, full hydraulic oil driver and some fuel. Varies with options selected.

Dimensions will vary with different truck makes, models and specifications.



12'10"
(3.9m)

59"
(1508mm)

190" (4830mm)

215" (5.46m)

50" (1270mm) 53" (1346mm)

136.9" (3.48m)

36'9" (11.19m)

Boom Specifications • Multi-Z Design

Height & Reach

Vertical reach	116' 8"	(35.55m)
Horizontal reach	104'	(31.70m)
Reach from front of truck*	96' 3"	(29.34m)
Reach depth	74' 8"	(22.75m)
Unfolding height	28' 8"	(8.74m)

4-Section Boom

1st section articulation	103°
2nd section articulation	180°
3rd section articulation	246°
4th section articulation	234°
1st section length	28' 8" (8.74m)
2nd section length	25' 3" (7.70m)
3rd section length	25' 4" (7.71m)
4th section length	24' 9" (7.54m)

General Specs

Pipeline size (ID) metric ends with couplings	5' (125mm)	5' 5" (140mm)
Rotation	365°	
End hose-length (heavy-duty)	10' (3m)	
End hose-diameter	5" (125mm)	
Outrigger spread L-R-front telescopic diagonal	20' 8" (6.35m)	
Outrigger spread L-R-rear swing-out	22' 10" (6.96m)	

Pump Specifications

36Z.12L

36Z.16H

.20H pump also available

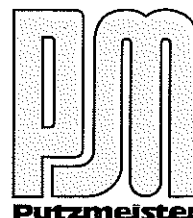
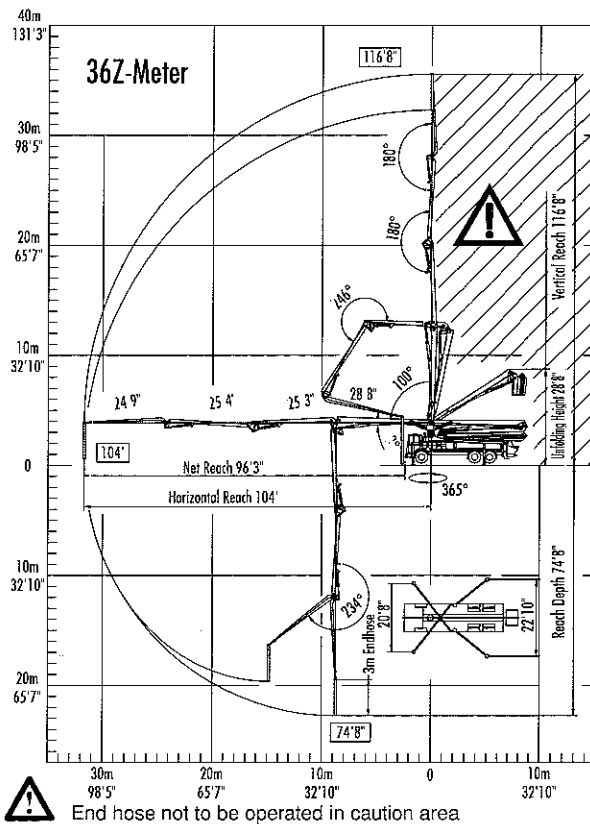
Output- rod side	142 yd ³ /hr (109 m ³ /hr)	210 yd ³ /hr (160m ³ /hr)
piston side	85 yd ³ /hr (65 m ³ /hr)	146 yd ³ /hr (112m ³ /hr)
Pressure- rod side	1015 psi (70 bar)	1233 psi (85 bar)
piston side	1624 psi- (112 bar)*	1885 psi- (130 bar)*
Concrete cylinder diameter	9" (230mm)	9" (230mm)
Stroke length	83" (2100mm)	83" (2100mm)
Max strokes per minute-		
rod side	21	31
piston side	13	21
Volume control	0-Full	0-Full
Vibrator	Standard	Standard
Hard chromed concrete cylinders	Standard	Standard
Hydraulic system	Free Flow	Free Flow
Hydraulic system pressure	5075 psi (350 bar)	5075 psi (350 bar)
Differential cylinder diameter	5.1" (130mm)	5.5" (140mm)
Rod diameter	3.1 (80mm)	3.1 (80mm)
Maximum size aggregate	2.5 (63mm)	2.5 (63mm)
Water Tank	185 gal (700L)	185 gal (700L)

Maximum theoretical values listed.

* Applies to units mounted on PMA stock truck-Mack MR 688S

• Standard delivery line system rated at max line pressure of 1233 psi (85 bar)

Right to make technical amendments reserved



Putzmeister America
1733 90th Street
Sturtevant
Wisconsin 53177 USA

Telephone (262) 886-3200
(800) 884-7210
Facsimile (262) 884-6338
www.putzmeister.com